

PLEASE CHECK WWW.MOLEX.COM FOR LATEST PART INFORMATION

Part Number: [5015913411](#)
Status: **Active**
Overview: [slimstack_mm016_pitch](#)
Description: 0.40mm (.016") Pitch SlimStack™ Board-to-Board Receptacle, SMT, Dual Row, Vertical Stacking, 0.90mm (.035") Stacking Height, With Solder Tabs, 34 Circuits

Documents:

[3D Model](#) [Product Specification PS-501591-003 \(PDF\)](#)
[Drawing \(PDF\)](#) [RoHS Certificate of Compliance \(PDF\)](#)
[Product Specification PS-501591-002 \(PDF\)](#)

General

| | |
|----------------|---------------------------------------|
| Product Family | PCB Receptacles |
| Series | 501591 |
| Application | Board-to-Board |
| Overview | slimstack_mm016_pitch |
| Product Name | SlimStack™ |

Physical

| | |
|--------------------------------|-----------------------|
| Circuits (Loaded) | 34 |
| Color - Resin | Black |
| Durability (mating cycles max) | 20 |
| Glow-Wire Compliant | No |
| Lock to Mating Part | Yes |
| Mated Height (in) | 0.035 In |
| Mated Height (mm) | 0.90 mm |
| Material - Metal | Phosphor Bronze |
| Material - Plating Mating | Gold |
| Number of Rows | 2 |
| Orientation | Vertical |
| PCB Locator | No |
| PCB Retention | Yes |
| Packaging Type | Embossed Tape on Reel |
| Pitch - Mating Interface (in) | 0.016 In |
| Pitch - Mating Interface (mm) | 0.40 mm |
| Polarized to Mating Part | No |
| Polarized to PCB | No |
| Stackable | No |
| Surface Mount Compatible (SMC) | Yes |
| Temperature Range - Operating | -25°C to +85°C |
| Termination Interface: Style | Surface Mount |

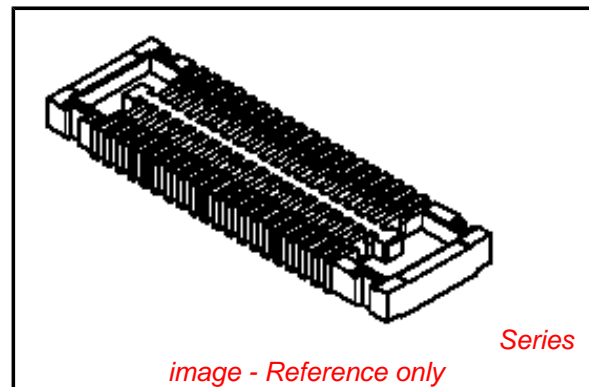
Electrical

| | |
|-------------------------------|-----------------|
| Current - Maximum per Contact | 0.3A |
| Voltage - Maximum | 50V AC (RMS)/DC |

Material Info

Reference - Drawing Numbers

| | |
|-------------------------|--|
| Packaging Specification | SPK-501591-001 |
| Product Specification | PS-501591-002, PS-501591-003, RPS-501591-012, RPS-501591-018, RPS-501591-019, RPS-501591-020 |
| Sales Drawing | SD-501591-005, SD-501591-006 |



EU RoHS

ELV and RoHS Compliant
REACH SVHC
 Not Reviewed
Halogen-Free Status

China RoHS



Not Reviewed

Need more information on product environmental compliance?

Email productcompliance@molex.com
 For a multiple part number RoHS Certificate of Compliance, [click here](#)

Please visit the [Contact Us](#) section for any non-product compliance questions.

Search Parts in this Series

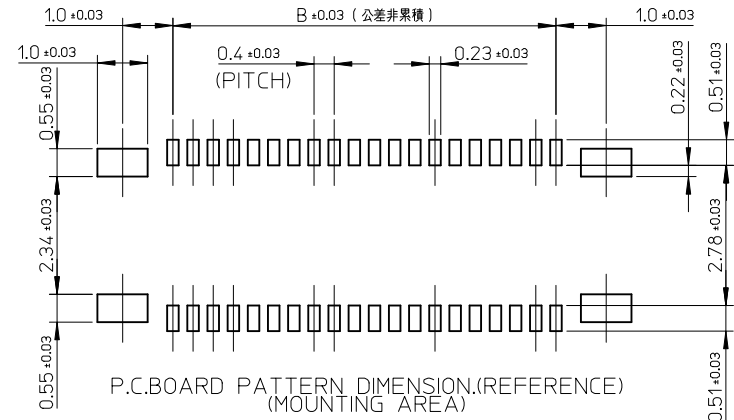
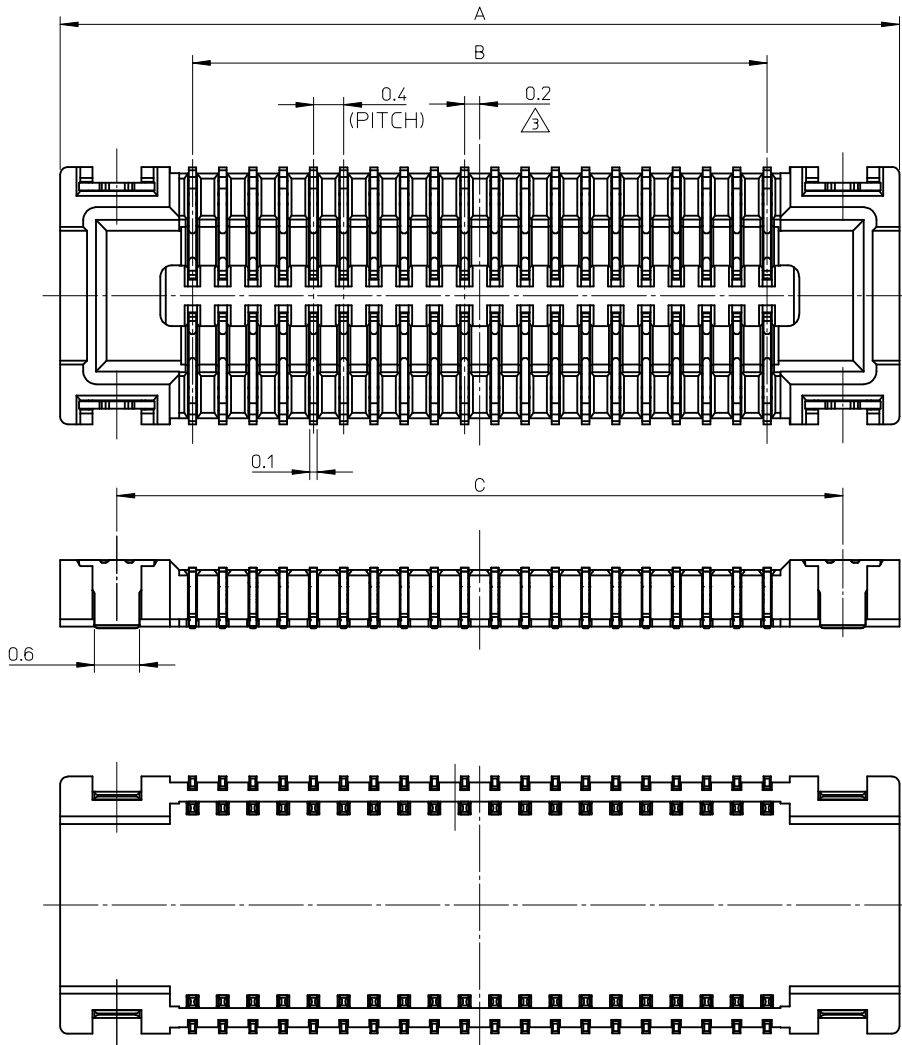
[501591Series](#)

Mates With

[501594 PCB Header](#)

PLEASE CHECK WWW.MOLEX.COM FOR LATEST PART INFORMATION

10 9 8 7 6 5 4 3 2 1



| | | | | | |
|------|------|------|-----------------------|--------------|---------|
| 15.6 | 13.6 | 17.1 | 501591-7011 | 501591-7010 | 70 |
| 12.4 | 10.4 | 13.9 | 501591-5411 | 501591-5410 | 54 |
| 11.6 | 9.6 | 13.1 | 501591-5011 | 501591-5010 | 50 |
| 10.4 | 8.4 | 11.9 | 501591-4411 | 501591-4410 | 44 |
| 9.6 | 7.6 | 11.1 | 501591-4011 | 501591-4010 | 40 |
| 8.4 | 6.4 | 9.9 | 501591-3411 | 501591-3410 | 34 |
| 7.6 | 5.6 | 9.1 | 501591-3011 | 501591-3010 | 30 |
| 6.8 | 4.8 | 8.3 | 501591-2611 | 501591-2610 | 26 |
| 6.4 | 4.4 | 7.9 | 501591-2411 | 501591-2410 | 24 |
| 6.0 | 4.0 | 7.5 | 501591-2211 | 501591-2210 | 22 |
| 5.6 | 3.6 | 7.1 | 501591-2011 | 501591-2010 | 20 |
| 4.0 | 2.0 | 5.5 | 501591-1211 | 501591-1210 | 12 |
| 3.6 | 1.6 | 5.1 | 501591-1011 | 501591-1010 | 10 |
| C | B | A | EMBOSSED TAPE PACKAGE | MATERIAL NO. | CIRCUIT |
| | | | ORDER No. | | |

| | | | | | | | |
|---|---------------------------------------|--------|---|--------------------|--|-------------------------------|------------------------|
| REVISED EC NO: J2008-3370 DRW/KSETO 2008/06/17 CHKD:MSASAO 2008/06/17 APPR:MSASAO 2008/06/25 | GENERAL TOLERANCES (UNLESS SPECIFIED) | | DIMENSION STYLE MM ONLY | | SCALE --- | DESIGN UNITS METRIC | THIRD ANGLE PROJECTION |
| | 10 UNDER | ± 0.2 | DRAWN BY TASAKAWA | DATE 2006/07/10 | TITLE 0.4MM PITCH B/B CONN. H=0.9 W=3.4 REC ASSY | | |
| | 10 OVER 30 UNDER | ± 0.25 | CHECKED BY MSASAO | DATE 2006/07/10 | MOLEX INCORPORATED | | |
| | 30 OVER | ± 0.3 | APPROVED BY MSASAO | DATE 2006/07/10 | MATERIAL NO. SEE TABLE | DOCUMENT NO. SD-501591-005 | SHEET NO. 1 OF 2 |
| | ANGULAR ±3 ° | | THIS DRAWING CONTAINS INFORMATION THAT IS PROPRIETARY TO MOLEX INCORPORATED AND SHOULD NOT BE USED WITHOUT WRITTEN PERMISSION | | | | |
| DRAFT WHERE APPLICABLE MUST REMAIN WITHIN DIMENSIONS | | | | | | | |

注記 NOTES

1. 使用材料
MATERIAL

ハウジング：液晶ポリマー (LCP) ガラス充填 UL-94V-0 (黒)
HOSING : LIQUID CRYSTAL POLYMER (GLASS FILLED) UL94V-0 (COLOR:BLACK)

ターミナル：りん青銅 (t=0.1)
TERMINAL : PHOSHOR BRONZE (t=0.1)

金具：りん青銅 (t=0.1)
FITTING NAIL : PHOSHOR BRONZE (t=0.1)

2. メッキ仕様
PLATING

ターミナル
TERMINAL

金メッキ 0.1マイクロメートル以上 (コンタクト部)
GOLD 0.1 MICROMETER MINIMUM (CONTACT AERA)

金メッキ 0.05マイクロメートル以上 (テール部)
GOLD 0.05 MICROMETER MINIMUM (TAIL AERA)

下地メッキ：ニッケルメッキ 1.0 マイクロメートル以上
UNDER PLATING : NICKEL 1.0 MICROMETER MINIMUM

金具
FITTING NAIL

錫メッキ :1.0マイクロメートル以上
TIN PLATING :1.0 MICROMETER MINIMUM

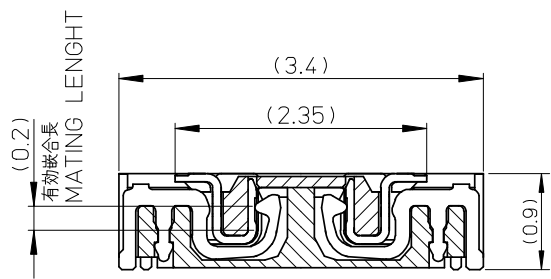
下地メッキ :ニッケル 1.0マイクロメートル以上
UNDER PLATING :NICKEL 1.0 MICROMETER MINIMUM

△ (全極数/2)=偶数の場合に適用
APPLY FOR (CIRCUIT/2)=EVEN

4. 嵌合相手 : 501594-**10 シリーズ
WITH MATE : 501594-**10 SERIES

5. テール及び金具の平坦度は、0.1以下
TAIL AND FITTING NAIL COPLANARITY TO BE 0.1 MAXIMUM

6. ELV AND RoHS COMPLIANT.

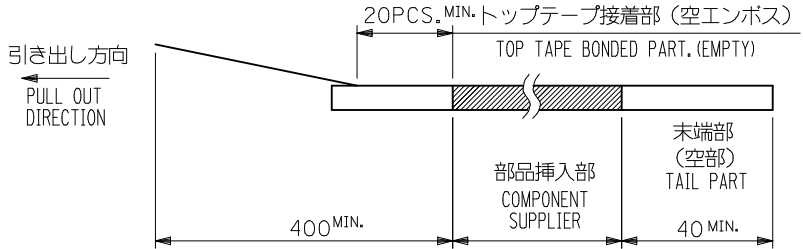


嵌合断面図 (参考)
MATED DRAWING

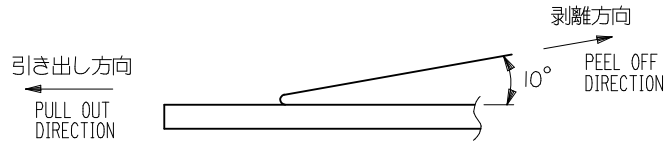
| | | | | | | | | |
|---|---------------------------------------|---|-----------------------------|--------------------|--|------------------------|------------------------|--|
| REVISED EC NO: J2008-3370 DRAWN: KSETO 2008/06/17 CHKD: MSASAO 2008/06/17 APPR: MSASAO 2008/06/25 | GENERAL TOLERANCES (UNLESS SPECIFIED) | | DIMENSION STYLE MM ONLY | | SCALE --- | DESIGN UNITS METRIC | THIRD ANGLE PROJECTION | |
| | 10 UNDER | ±0.2 | DRAWN BY TASAKAWA | DATE 2006/07/10 | TITLE 0.4MM PITCH B/B CONN. H=0.9 W=3.4 REC ASSY | | | |
| | 10 OVER 30 UNDER | ±0.25 | CHECKED BY MSASAO | DATE 2006/07/10 | | | | |
| | 30 OVER | ±0.3 | APPROVED BY MSASAO | DATE 2006/07/10 | MOLEX MOLEX INCORPORATED | | | |
| | ANGULAR | ±3 ° | MATERIAL NO. SEE SHEET 1 | | DOCUMENT NO. SD-501591-005 | | SHEET NO. 2 OF 2 | |
| DRAFT WHERE APPLICABLE MUST REMAIN WITHIN DIMENSIONS | | THIS DRAWING CONTAINS INFORMATION THAT IS PROPRIETARY TO MOLEX INCORPORATED AND SHOULD NOT BE USED WITHOUT WRITTEN PERMISSION | | | | | | |

NOTES

- 1. 製品詳細寸法については製品単体図面を参照下さい。
RE DETAILED DIMENSION, SEE PRODUCT DRAWING.
- 2. 梱包数量： 3000 個/リール
NUMBER OF CONNECTORS : 3000 PCS/REEL
- 3. リードテープ長さ LEAD TAPE LENGTH



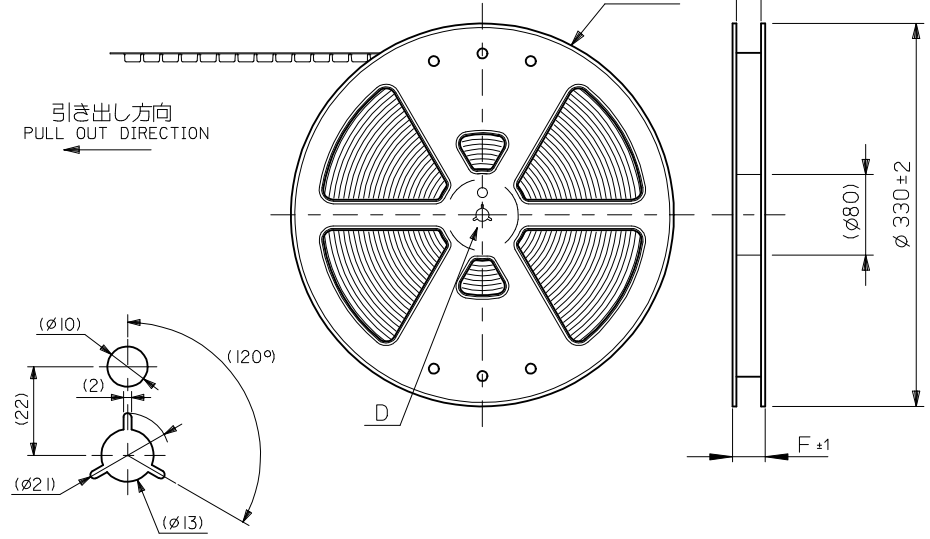
- 4. トップテープの剥離強度： JES-59 参照
剥離方向は下図参照。
PEELING OFF STRENGTH OF TOP TAPE : REFER TO JES-59
PEELING DIRECTION AS SHOWN IN FOLLOWING FIGURE.



- 5. 材料 MATERIAL
キャリアテープ (CARRIER TAPE) : ホリスチレン (POLYSTYLENE)
トップテープ (TOPTAPE) : PET , PE , PEF
リール (REEL) : ポリスチレン (PS) <リサイクル材を含む>
POLYSTYLENE (PS) <RECYCLE MATERIAL CONTAINED>

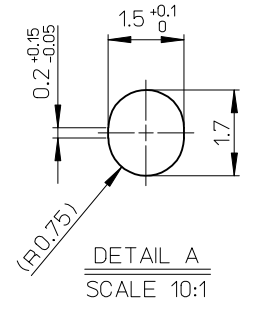
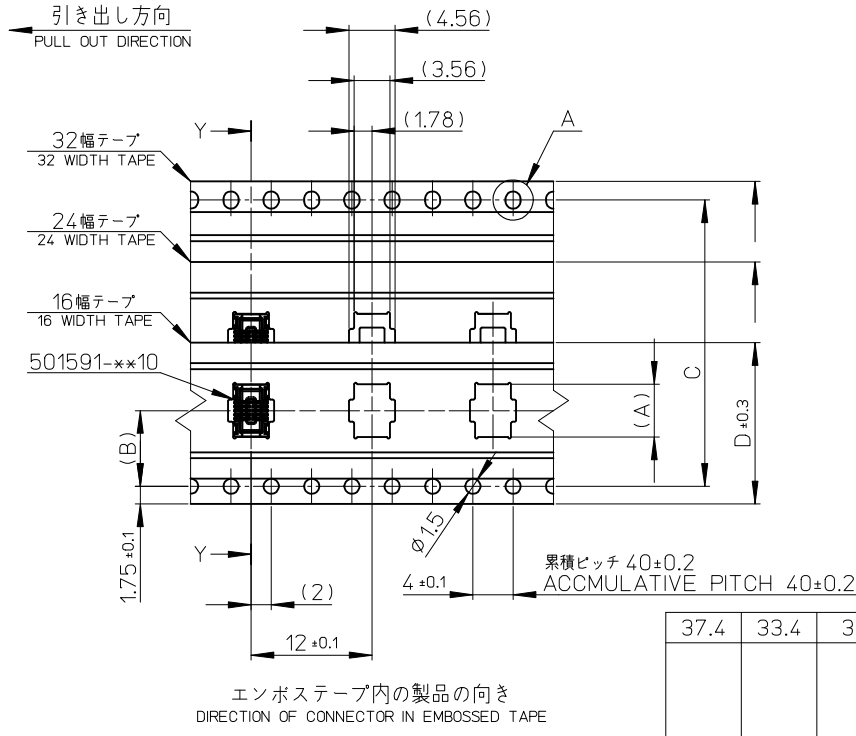
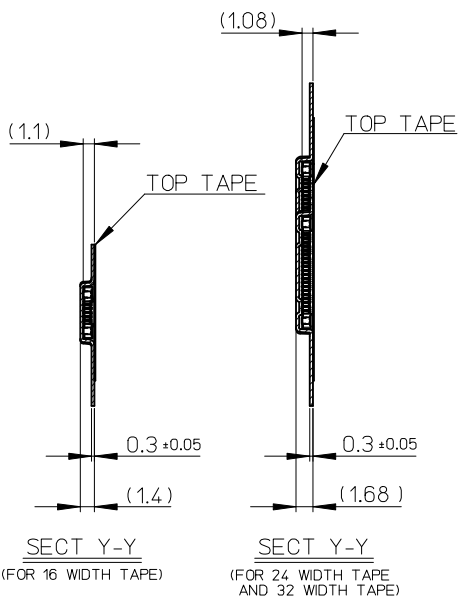
6. ELV AND RoHS COMPLIANT.

引き出し方向
PULL OUT DIRECTION



DETAIL D

| | | | | | | | |
|---|---------------------------------------|---|----------------------------|-----------------------------|--------------|--|---------------------|
| REVISED EC NO: J2008-3370 DRW:KSETO 2008/06/17 CHK:D:MSASAO 2008/06/17 APPR:MSASAO 2008/06/25 | GENERAL TOLERANCES (UNLESS SPECIFIED) | | DIMENSION STYLE MM ONLY | | SCALE --- | 501591-**11 | MODEL NO. |
| | 10 UNDER | ±0.2 | DRAWN BY TASAKAWA | DATE 2006/07/10 | TITLE | 0.4 B-TO-B CONN. REC ASSY (HGT=0.9) EMBSTP PKG | |
| | 10 OVER 30 UNDER | ±0.25 | CHECKED BY MSASAO | DATE 2006/07/10 | | MOLEX INCORPORATED | |
| | 30 OVER | ±0.3 | APPROVED BY MSASAO | DATE 2006/07/10 | | DOCUMENT NO. SD-501591-006 | SHEET NO. 1 OF 2 |
| | ANGULAR ±3 ° | DRAFT WHERE APPLICABLE MUST REMAIN WITHIN DIMENSIONS | | MATERIAL NO. SEE SHEET 1 | | | |
| | | THIS DRAWING CONTAINS INFORMATION THAT IS PROPRIETARY TO MOLEX INCORPORATED AND SHOULD NOT BE USED WITHOUT WRITTEN PERMISSION | | | | | |



| | | | | | | | |
|------|------|----|------|------|-------|--------------|-----------|
| 37.4 | 33.4 | 32 | 28.4 | 14.2 | 17.26 | 501591-7011 | 70 |
| | | | | | 14.06 | 501591-5411 | 54 |
| | | | | | 13.26 | 501591-5011 | 50 |
| | | | | | 12.06 | 501591-4411 | 44 |
| | | | | | 11.26 | 501591-4011 | 40 |
| 29.4 | 25.4 | 24 | — | 11.5 | 10.06 | 501591-3411 | 34 |
| | | | | | 9.26 | 501591-3011 | 30 |
| | | | | | 8.46 | 501591-2611 | 26 |
| | | | | | 8.06 | 501591-2411 | 24 |
| | | | | | 7.66 | 501591-2211 | 22 |
| | | | | | 7.26 | 501591-2011 | 20 |
| 21.4 | 17.4 | 16 | — | 7.5 | 5.66 | 501591-1211 | 12 |
| | | | | | 5.26 | 501591-1011 | 10 |
| F | E | D | C | (B) | (A) | MATERIAL No. | 極数 CKT |

| | | | | | | | | | | |
|---|---------------------------------------|--------|--|--|-------------------------------|---|---------------------|--------------|------------------------|-----------|
| REVISED EC NO: J2008-3370 DRW:KSE10 2008/06/17 CHK:D:MSASAO 2008/06/17 APPR:MSASAO 2008/06/25 | GENERAL TOLERANCES (UNLESS SPECIFIED) | | DIMENSION STYLE MM ONLY | | SCALE --- | DESIGN UNITS METRIC | | 501591-**-11 | | MODEL No. |
| | 10 UNDER | ± 0.2 | DRAWN BY TASAKAWA | | DATE 2006/07/10 | TITLE 0.4 B-TO-B CONN. REC ASSY (HGT=0.9) EMBSTP PKG | | | | |
| | 10 OVER 30 UNDER | ± 0.25 | CHECKED BY MSASAO | | DATE 2006/07/10 | APPROVED BY MSASAO | | | | |
| | 30 OVER | ± 0.3 | APPROVED BY MSASAO | | DATE 2006/07/10 | MATERIAL NO. SEE TABLE | | | | |
| | ANGULAR ± 3 ° | | DRAFT WHERE APPLICABLE MUST REMAIN WITHIN DIMENSIONS | | DOCUMENT NO. SD-501591-006 | | SHEET NO. 2 OF 2 | | MATERIAL No. 極数 CKT | |